

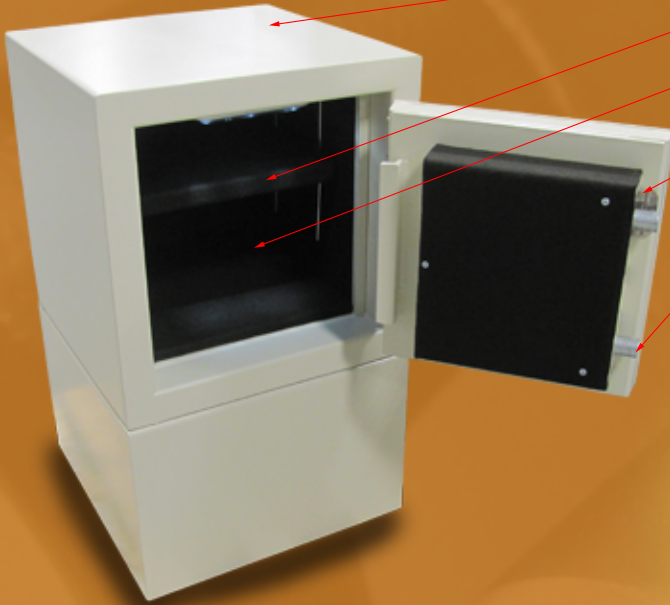


MGM Security Group
Burglary Safe manufacturers



Proudly made in
Canada
Since 1981

Callisto HGS - High Security Hand Gun Safe



True six sided Class 2 burglary protection with 1 hour fire.

One adjustable shelf.

Fully carpeted.

Locking with 2 or 4 live action locking bolts and 2 or 4 steel dead bolts provide 4 to 8 locking points.

Highly efficient bolt detent system that keeps the bolts retracted when the door is opened and never fails to engage them automatically when the door is closed.

Re-locking feature will keep the door secured, even if the lock is completely removed during an attempted break-in; 2" composite, reinforced door and body provides greater security.

Drill resistant hardened steel plate is located behind the lock for greater security.

Maintenance free heavy duty Hinges.

Main door locked by an electronic lock.

4 Standard Sizes: Inside dimensions are;

HGSC A012 - 14" H x 14" W x 12" D weight 520 lbs

HGSC A013 - 18" H x 15" W x 12" D weight 620 lbs

HGSC A014 - 21" H x 15" W x 12" D weight 680 lbs

HGSC A015 - 26" H x 17" W x 13" D weight 860 lbs



Options:

Hydrosorbent dehumidifier.
 Interior LED light.
 Steel base.

Hand Gun Safe

MGM Security Group inc

555 Wentworth St E. unit 3

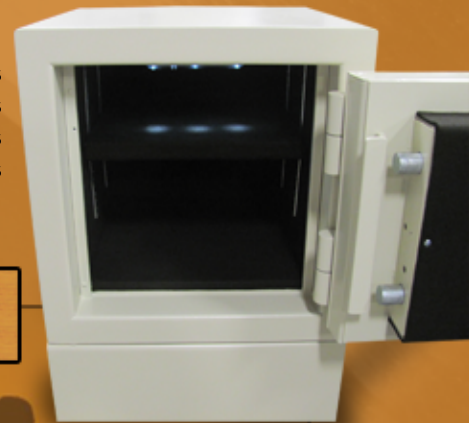
Oshawa, Ontario

L1H 3V8

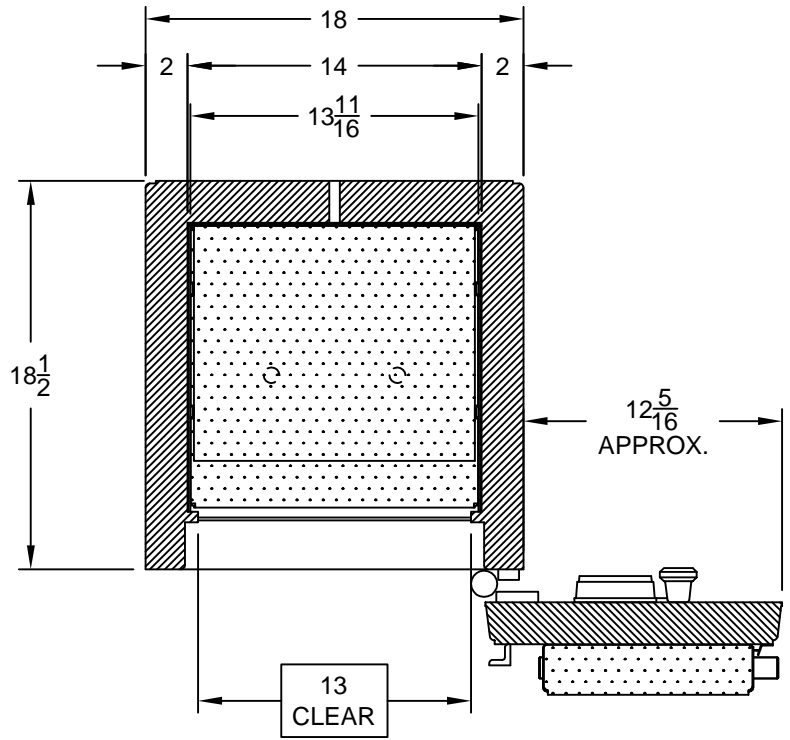
info@mgmsecuritygroup.com

Toll free 1-866-327-4688 - Tel 905-435-4788 - Fax 905-435-1019

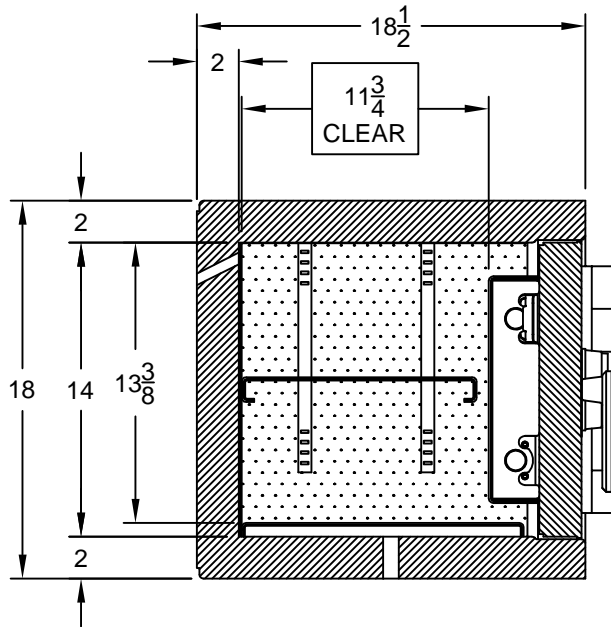
www.mgmsecuritygroup.com



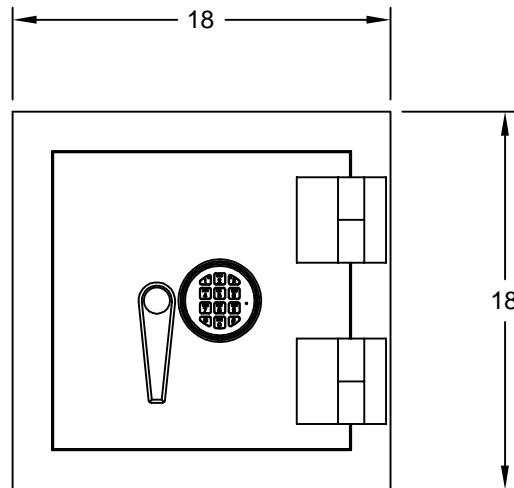
This drawing cannot be reproduced without our authorization. / Ce dessin ne peut être reproduit sans notre autorisation.



HORIZONTAL SECTION
(DOOR OPENED AT 180°)



VERTICAL SECTION
(CLOSED DOOR)



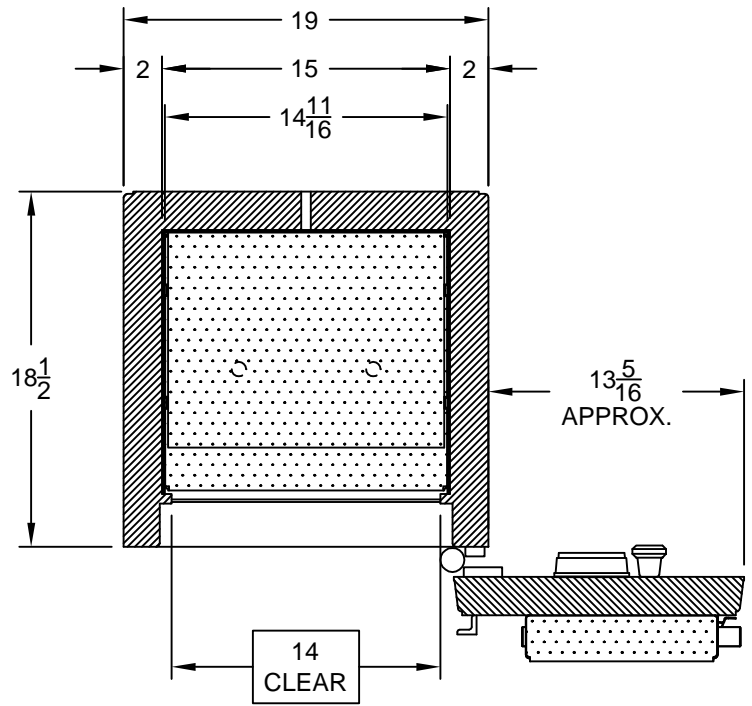
FRONT VIEW
(CLOSED DOOR)



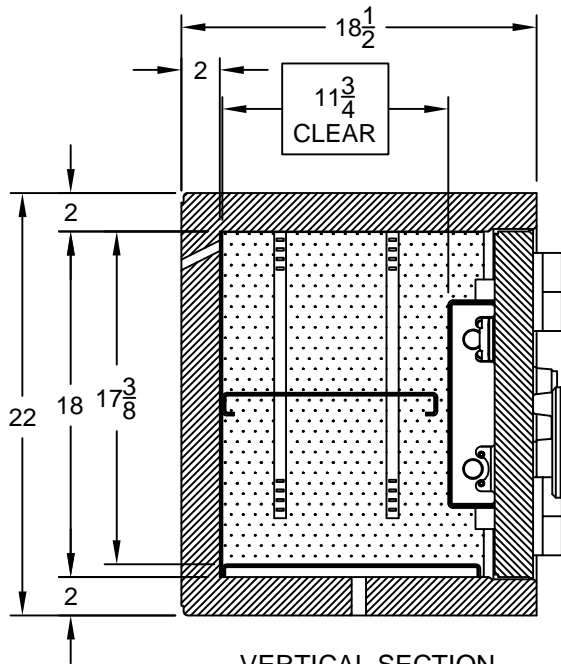
Drawn by / Dessiné par : Patrick Dumas	App.	Page : 1 de 1
Scale / Echelle : N.T.S.	Date: 2011/03/02	Quot. / Soum. : FC-A012

Rev.	Description	Date	By / Par

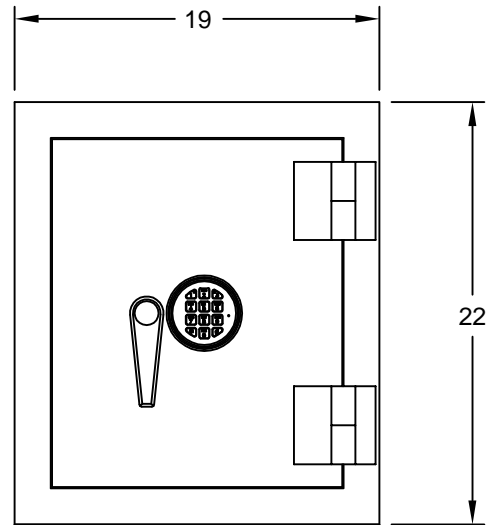
Model / Modèle: 63SD-140-140-120-V2-HGS-NET	Drawing no. / Dessin no. : 0
---	--



HORIZONTAL SECTION
(DOOR OPENED AT 180°)



VERTICAL SECTION
(CLOSED DOOR)



FRONT VIEW
(CLOSED DOOR)

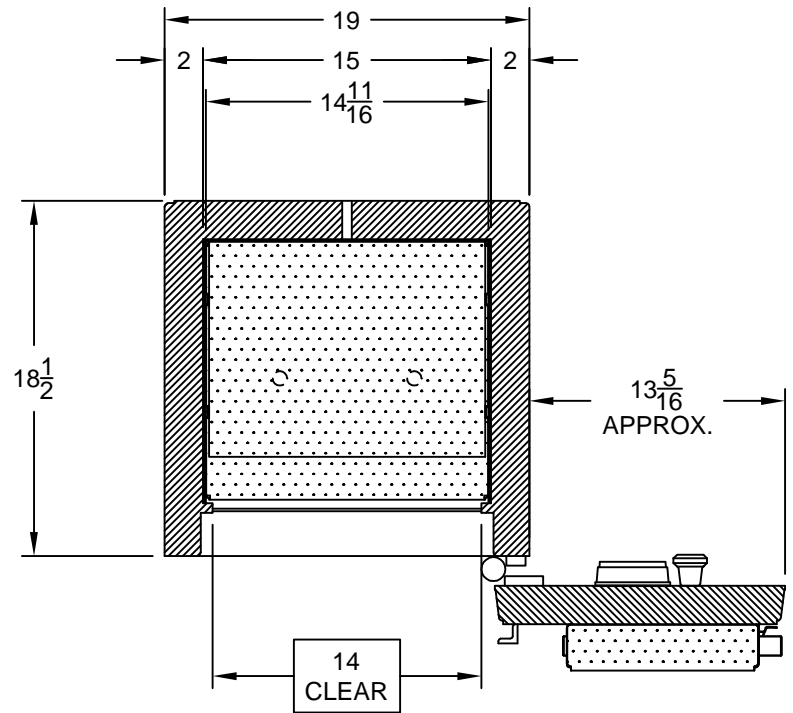


Drawn by / Dessiné par : Patrick Dumas	App.	Page : 1 de 1
Scale / Echelle : N.T.S.	Date: 2011/03/02	Quot. / Soum. : FC-A013

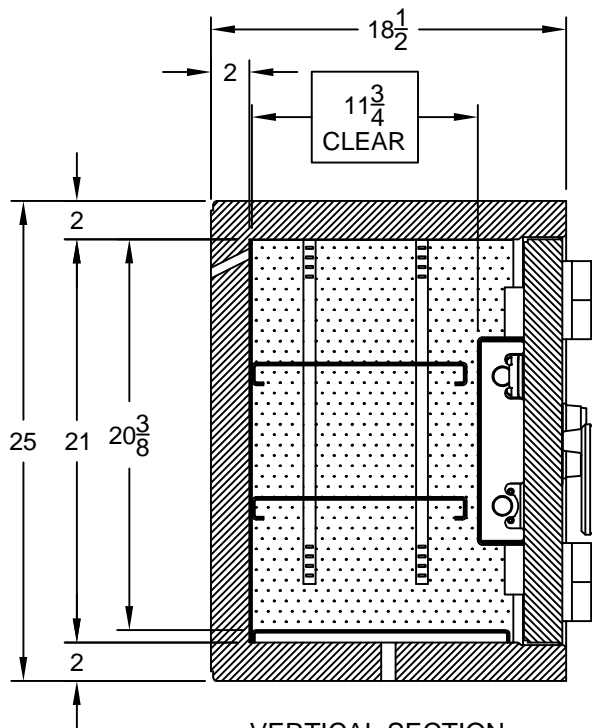
Rev.	Description	Date	By / Par

Desc.: CLASS 2
COMPOSITE SAFE

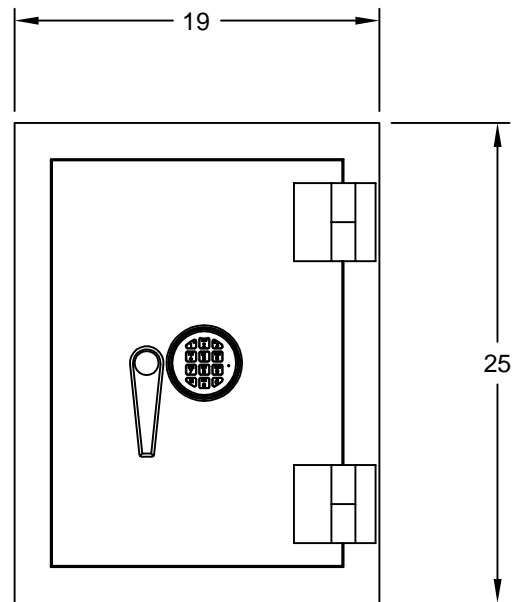
Model / Modèle: 63SD-180-150-120-HGS-NET	Drawing no. / Dessin no. :		Rév. 0
---	----------------------------	--	-----------



HORIZONTAL SECTION
(DOOR OPENED AT 180°)



VERTICAL SECTION
(CLOSED DOOR)



FRONT VIEW
(CLOSED DOOR)

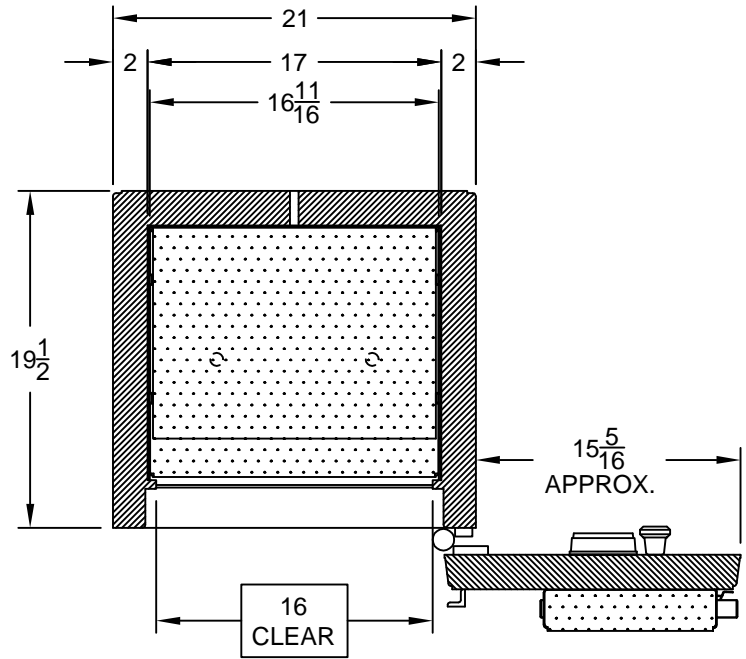


Drawn by / Dessiné par : Patrick Dumas App. Page : 1 de 1

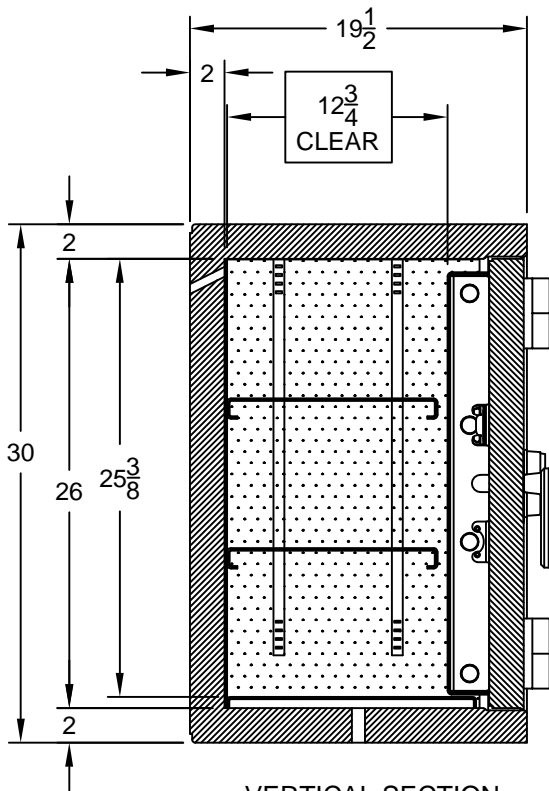
Scale / Echelle : N.T.S. Date: 2011/03/02 Quot. / Soum. : FC-A014

Rev.	Description	Date	By / Par

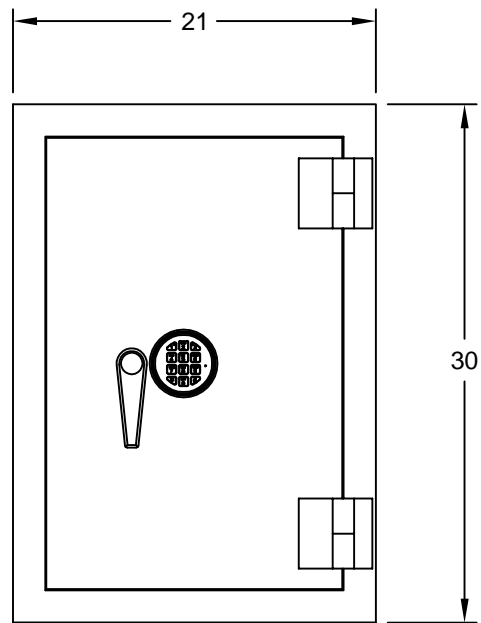
Desc.: CLASS 2 COMPOSITE SAFE Model / Modèle: 63SD-210-150-120-HGS-NET Drawing no. / Dessin no : 0



HORIZONTAL SECTION
(DOOR OPENED AT 180°)



VERTICAL SECTION
(CLOSED DOOR)



FRONT VIEW
(CLOSED DOOR)



Drawn by / Dessiné par :

Patrick Dumas

App.

Page :

1 de 1

Scale / Echelle :

3/32"=1"

Date:

2011/03/02

Quot. / Soum. :

FC-A015

Rev.	Description	Date	By / Par

Desc.: CLASS 2
COMPOSITE SAFE

Model / Modèle: Drawing no. / Dessin no. :

63SD-260-170-130-NET-HGS

Rév.

0